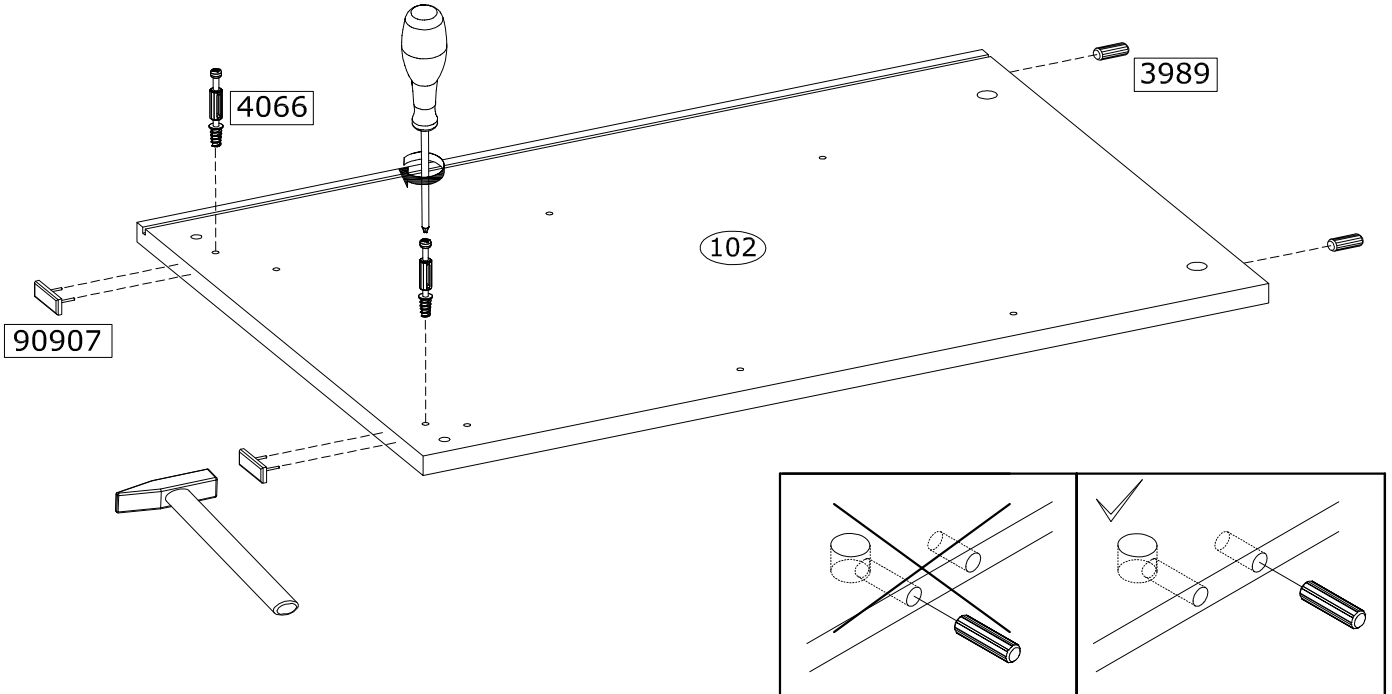
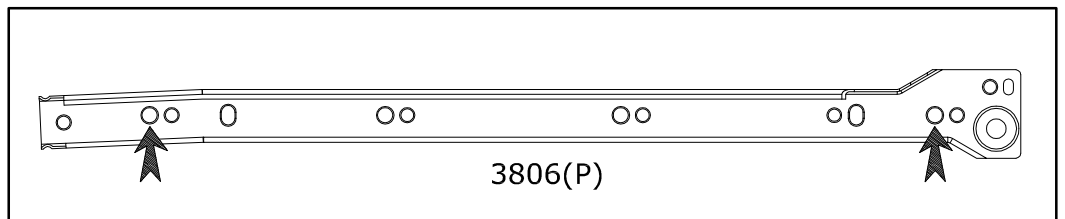
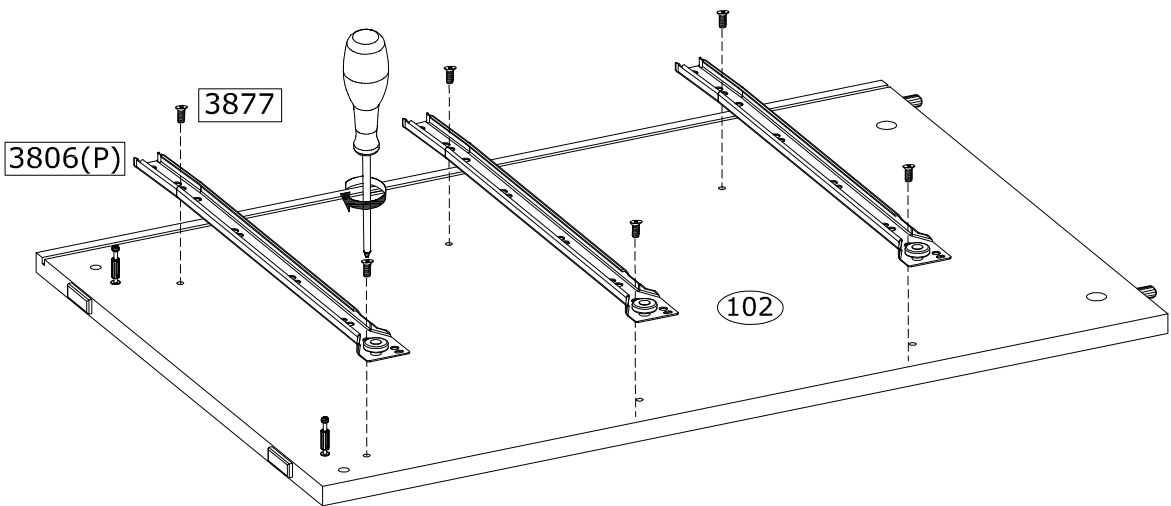
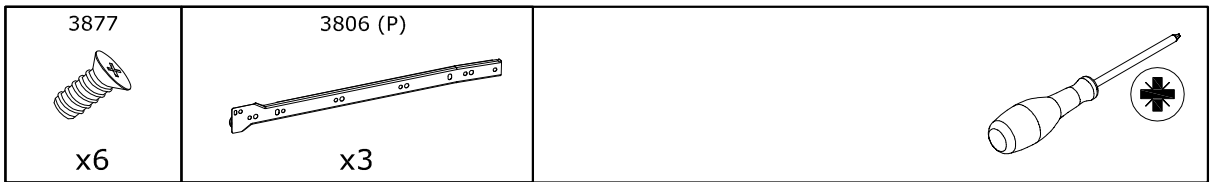


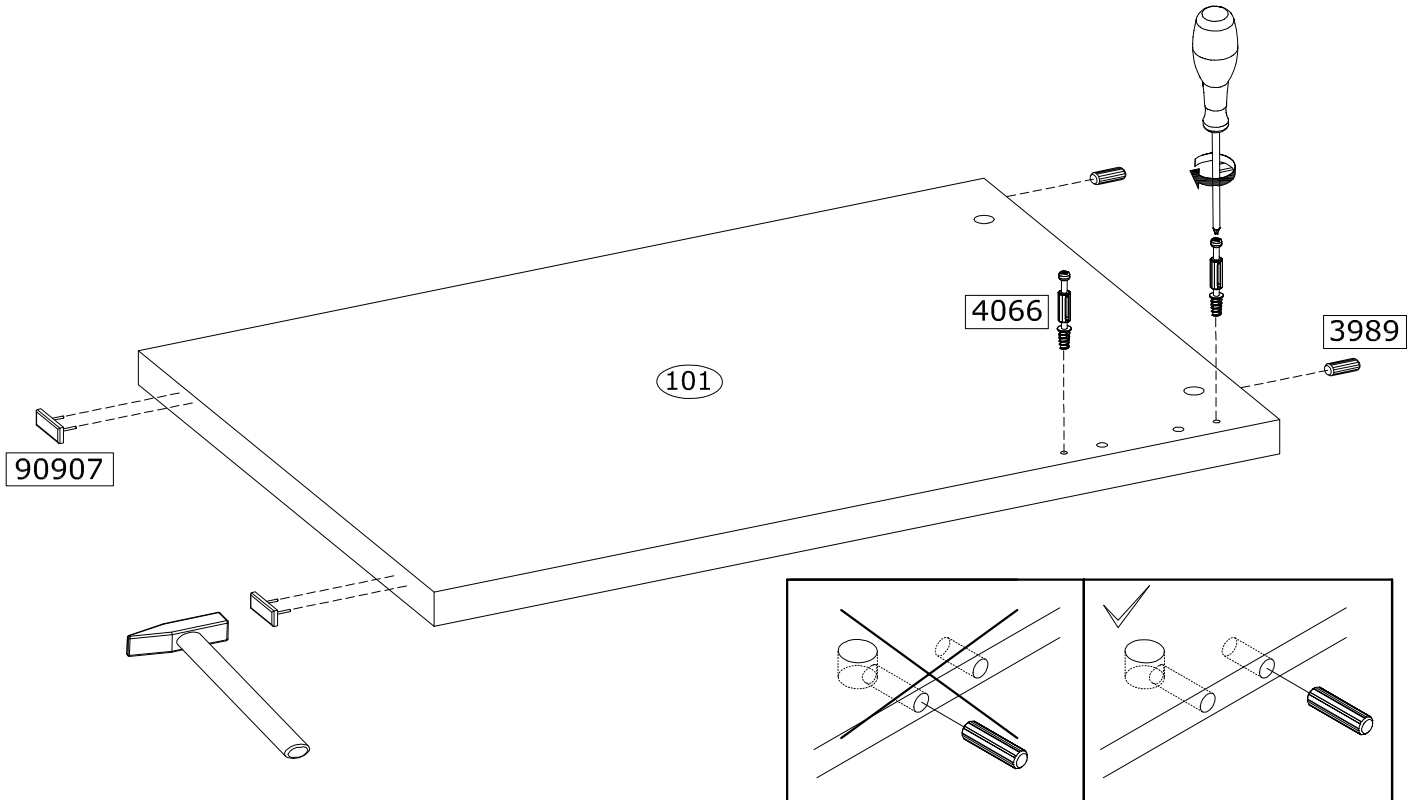
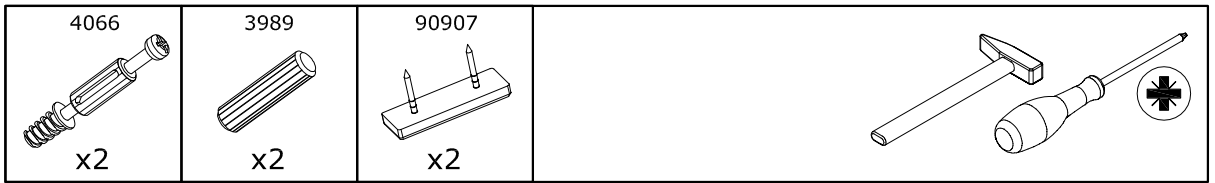
1



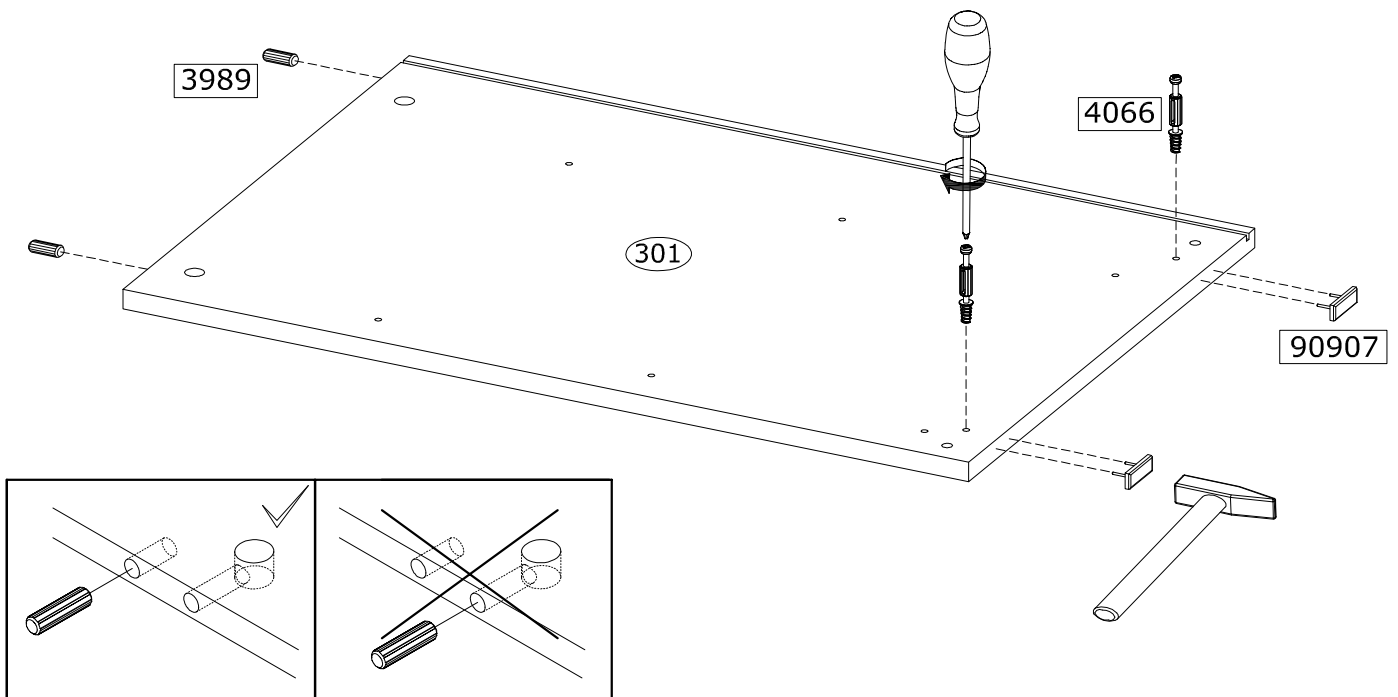
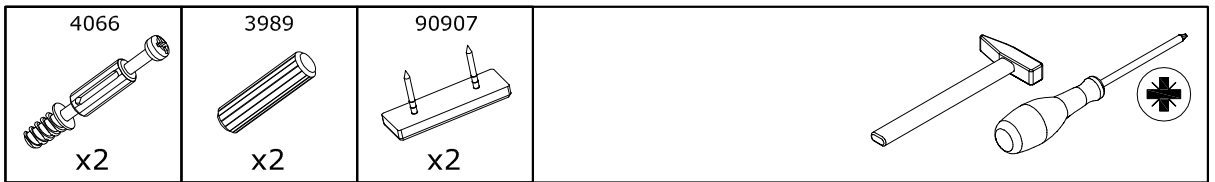
2



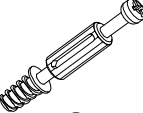

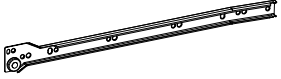
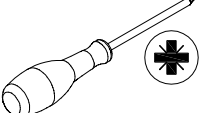
3

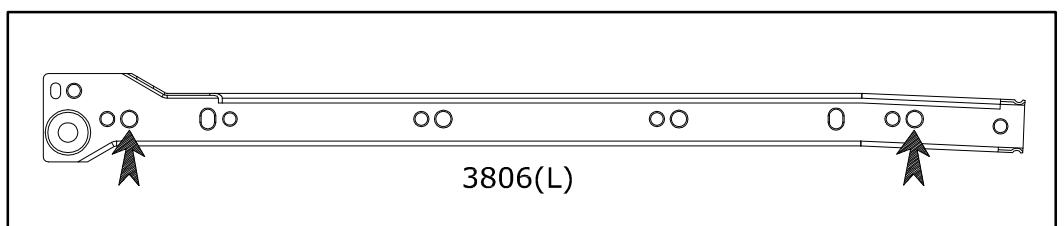
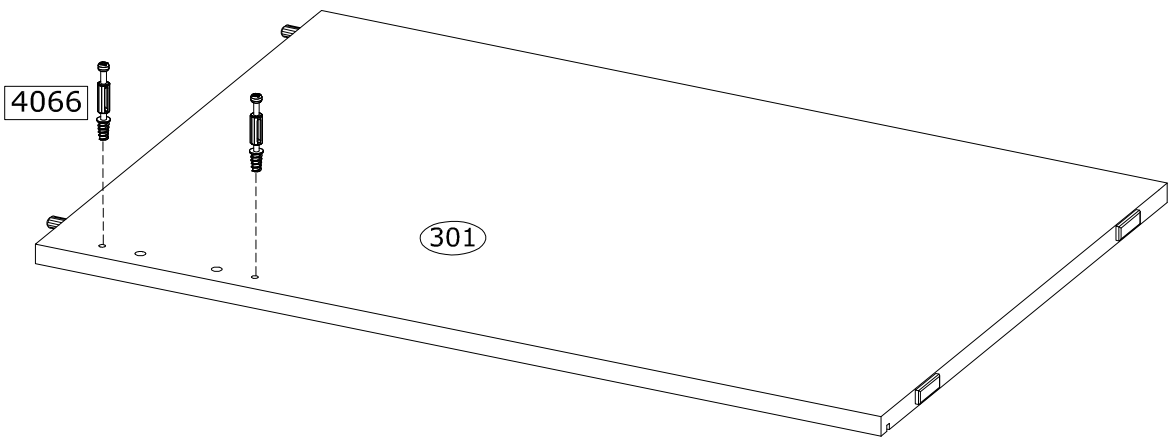
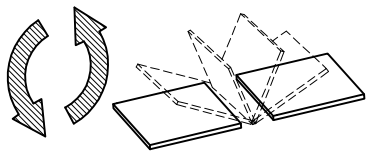
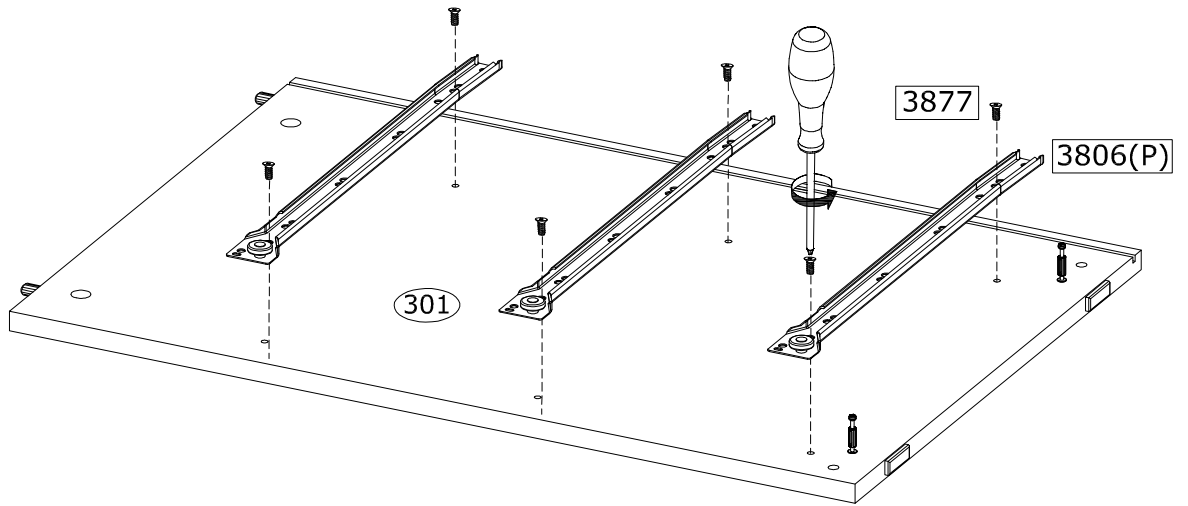


4

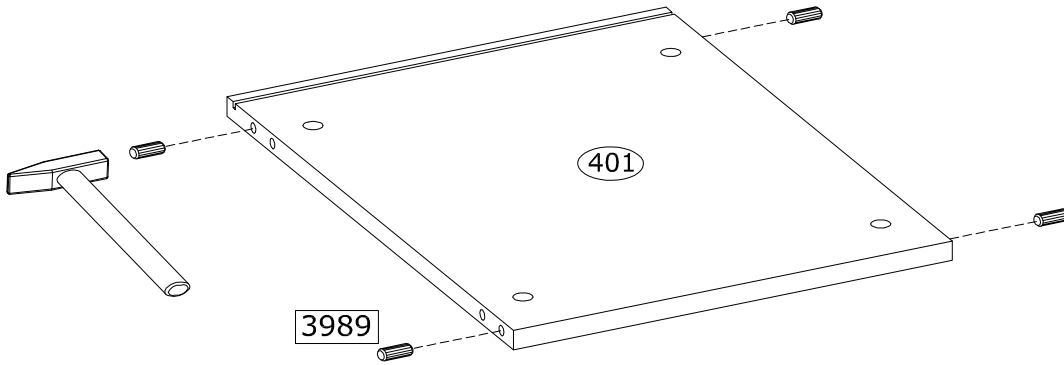


5

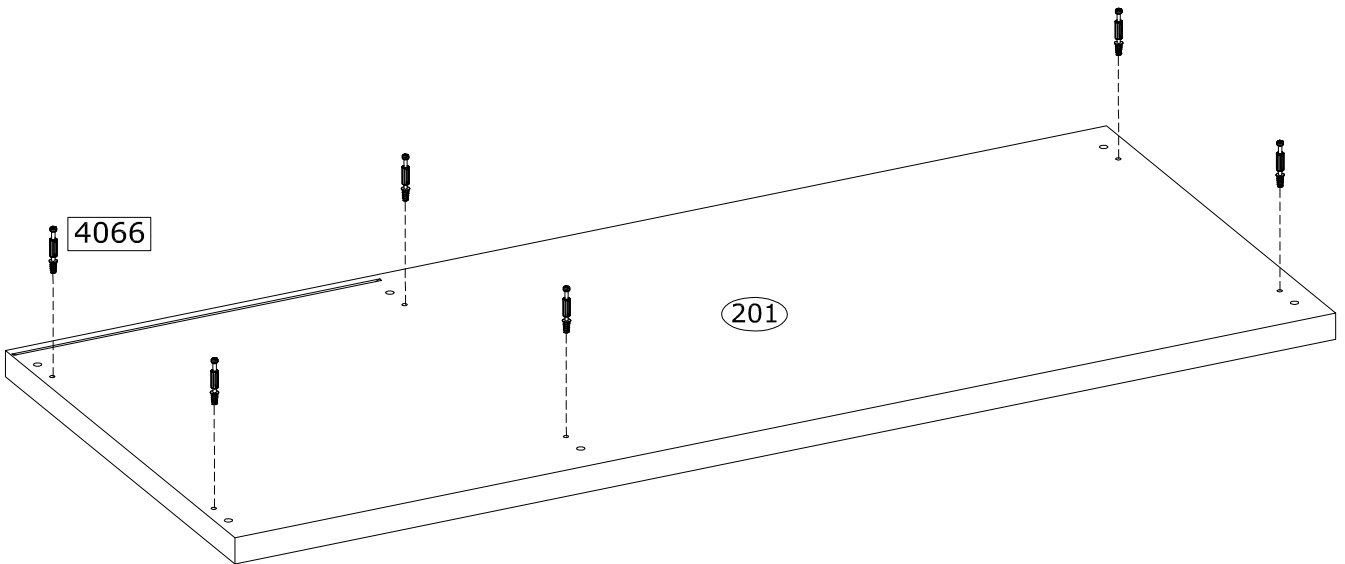
<p>4066  x2</p>	<p>3877  x6</p>	<p>3806 (L)  x3</p>	
--	--	--	---



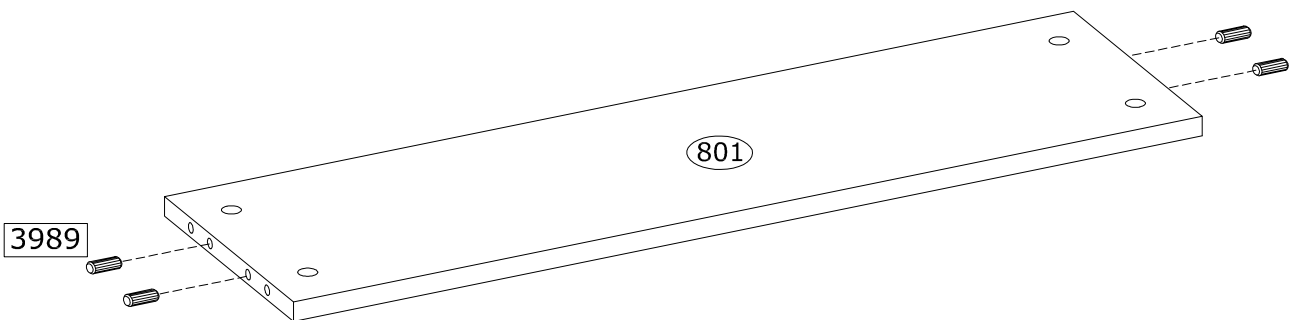
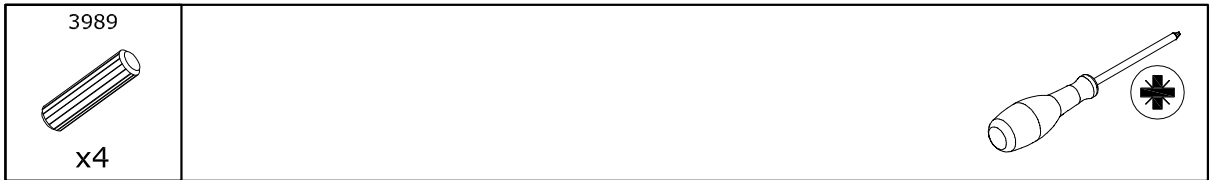
6



7



8

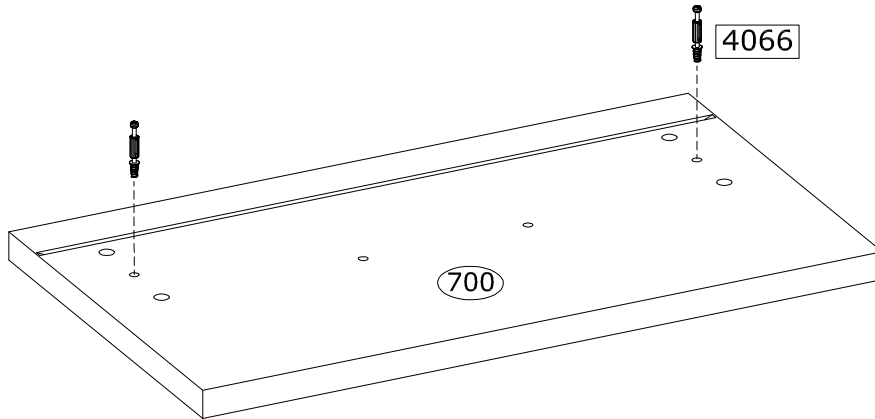




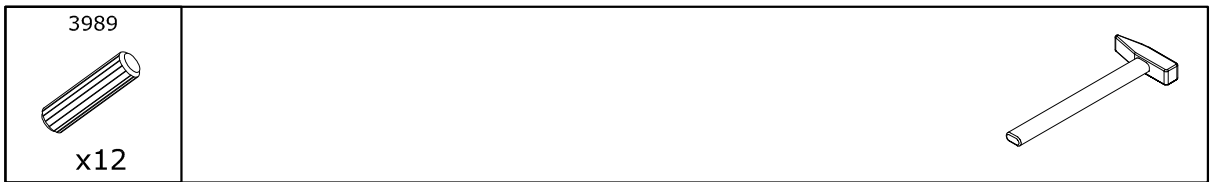
9



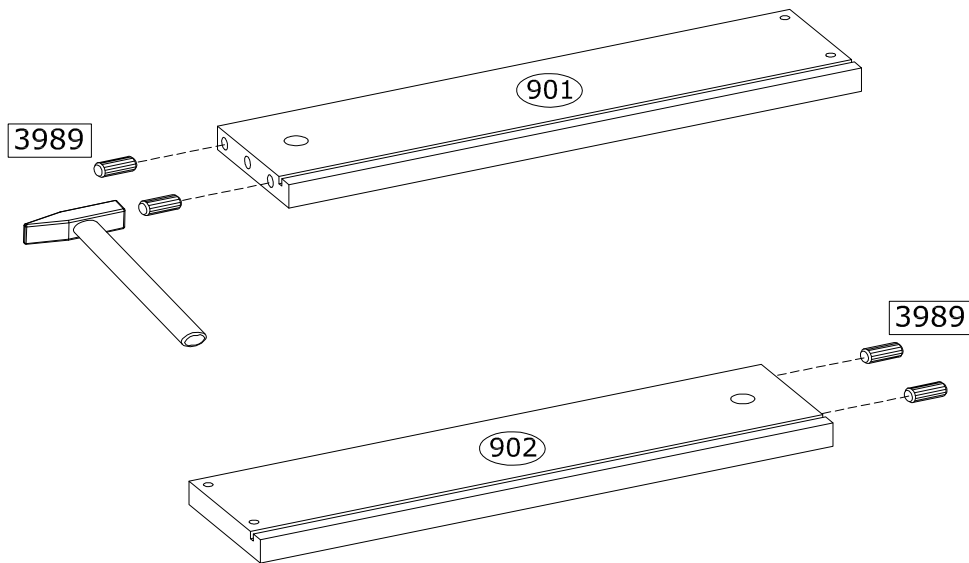
x3



10

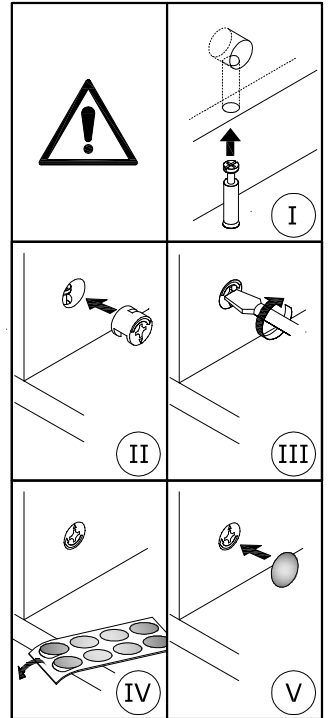
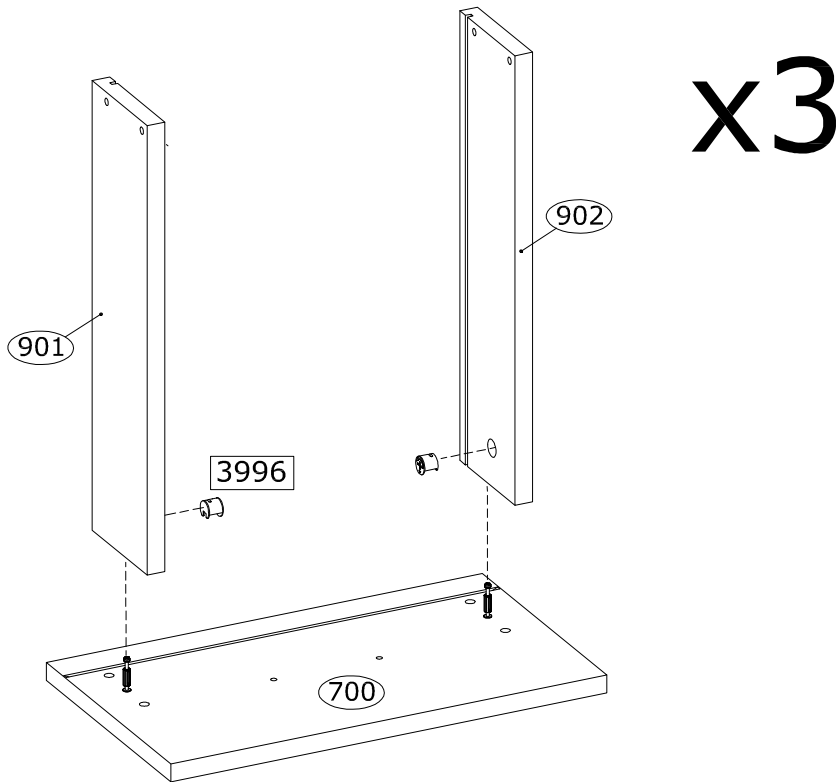


x3

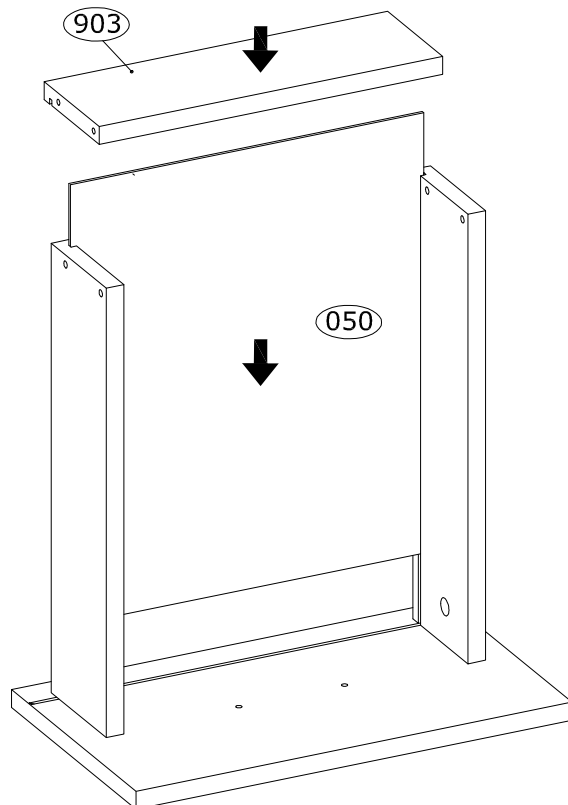


11

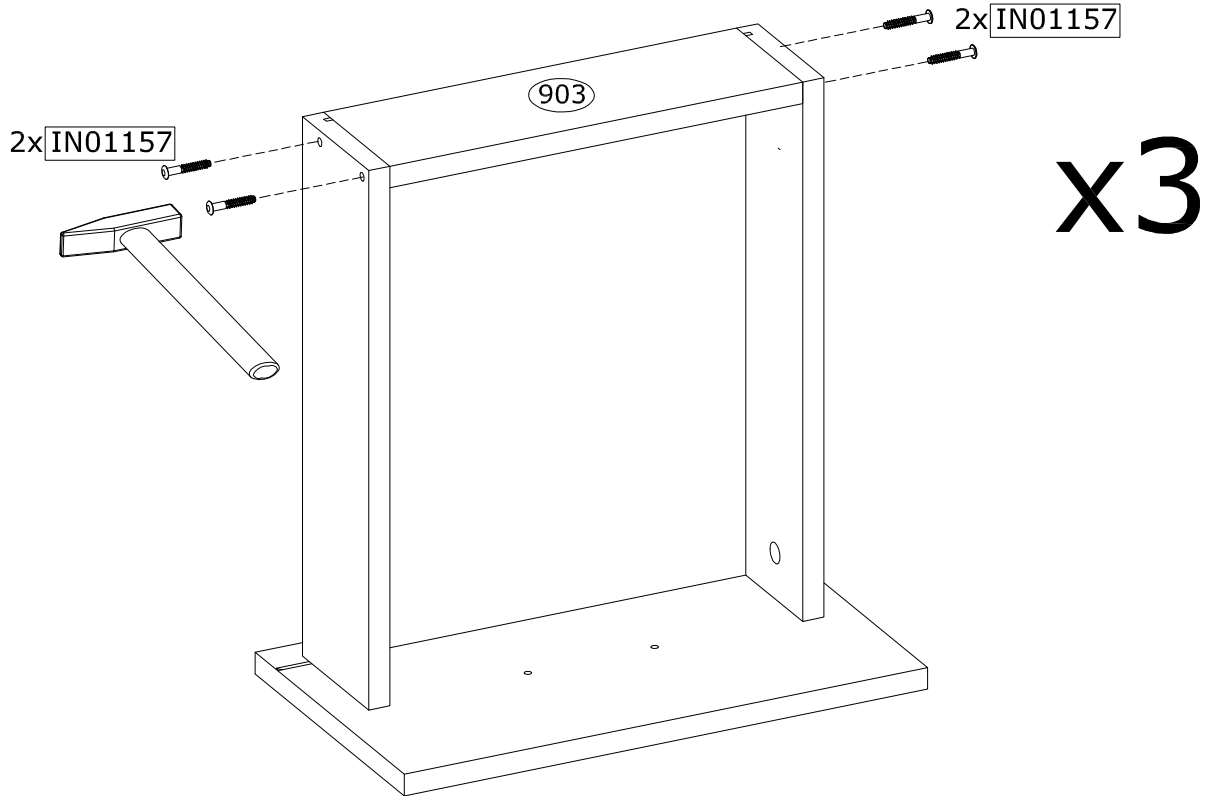
<p>3996</p>  <p>x6</p>	<p>136239</p>  <p>x6</p>	
---	---	---



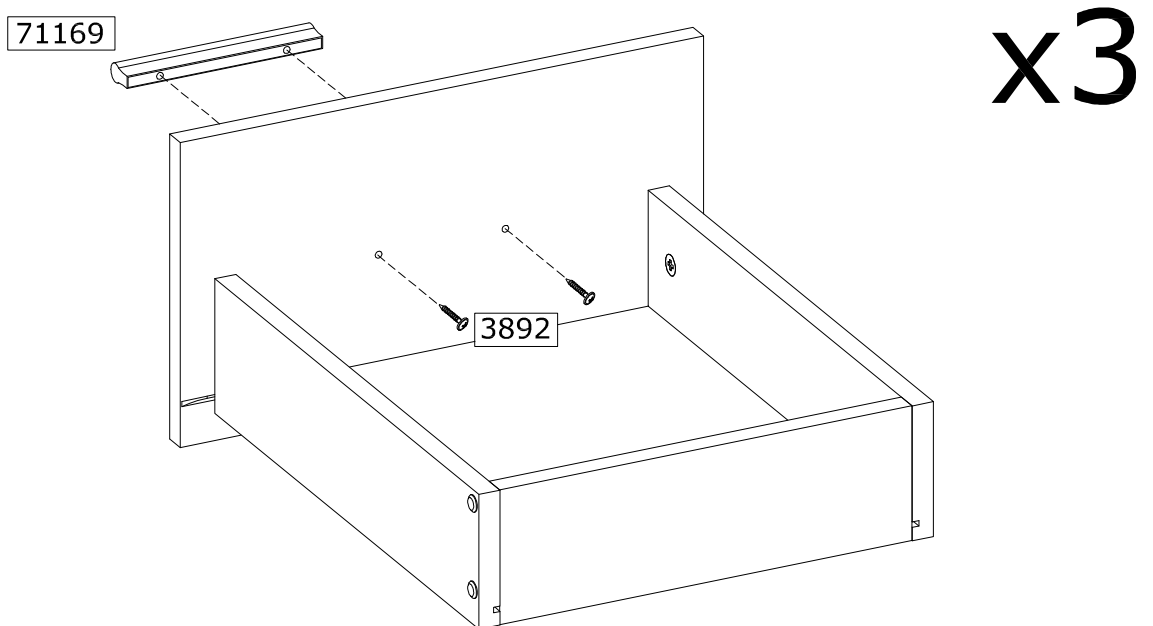
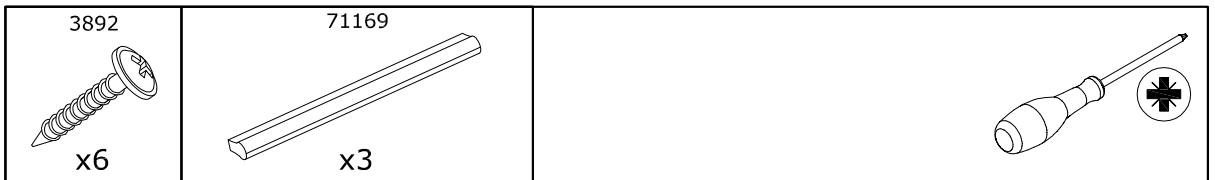
12




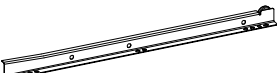
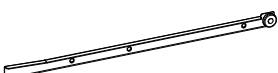
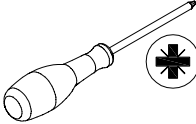

13

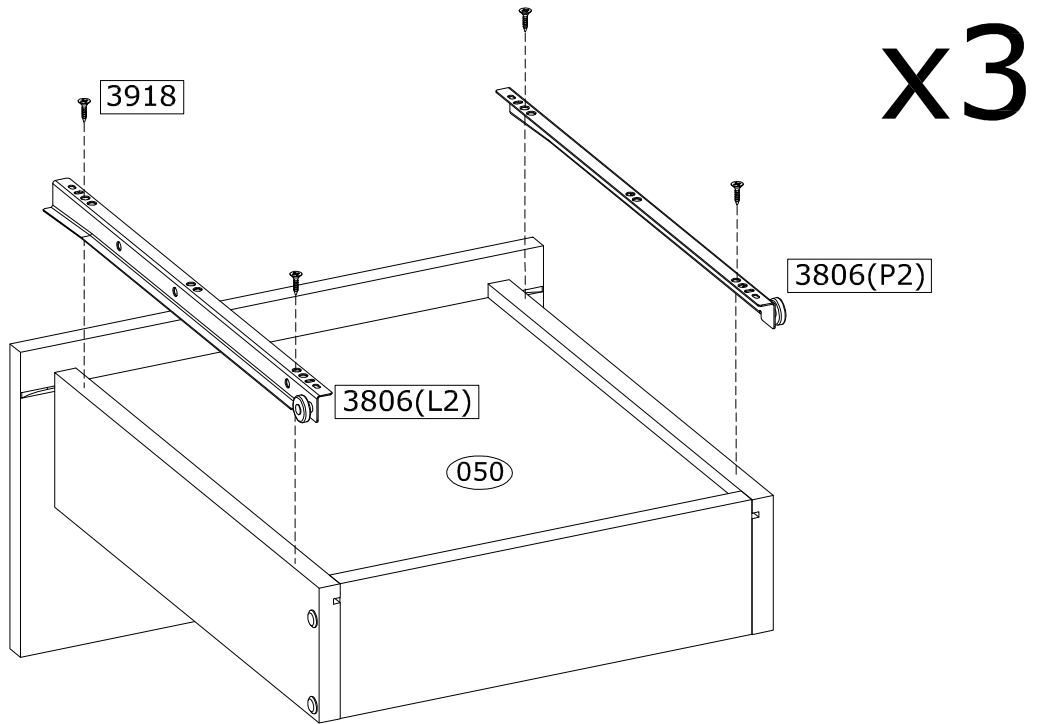


14

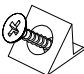
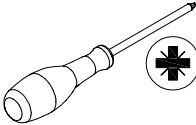



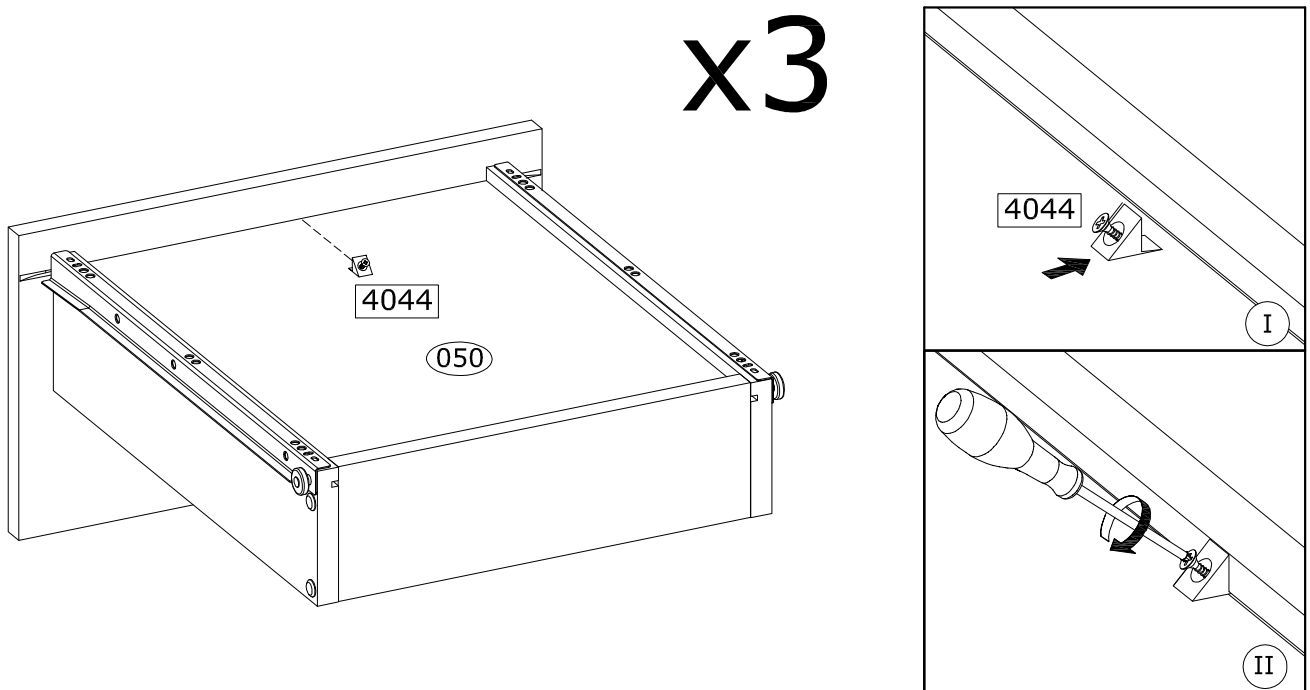
15

<p>3918</p>  <p>x12</p>	<p>3806 (L2)</p>  <p>x3</p>	<p>3806 (P2)</p>  <p>x3</p>	 
--	--	---	---

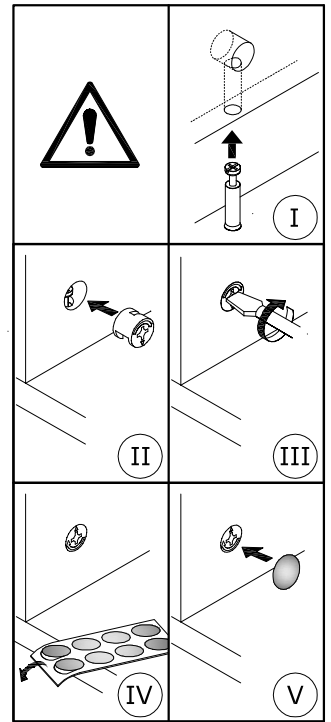
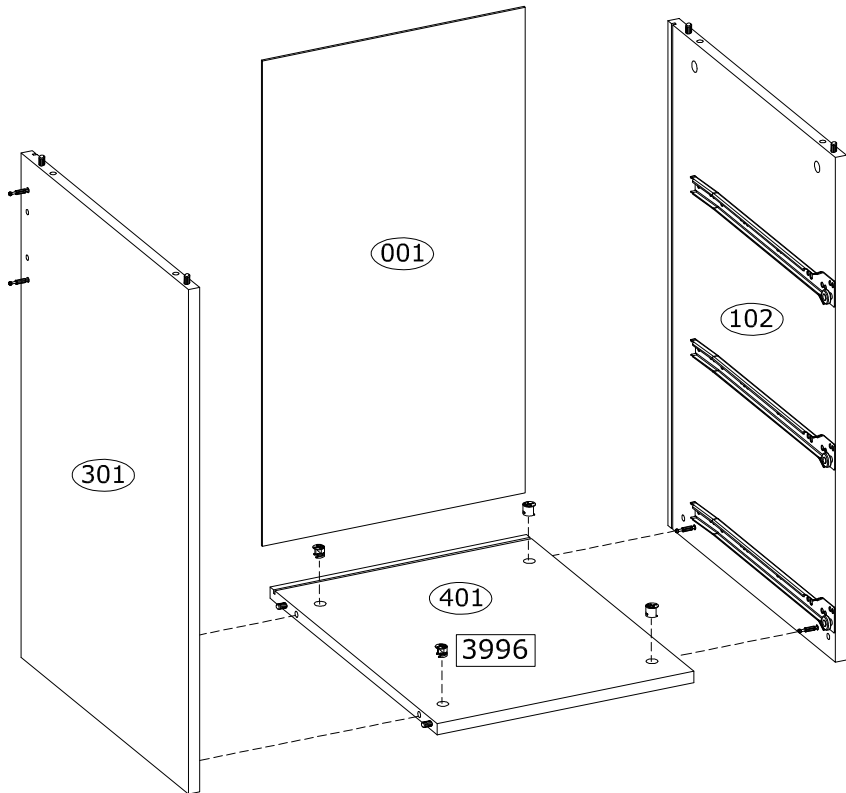


16

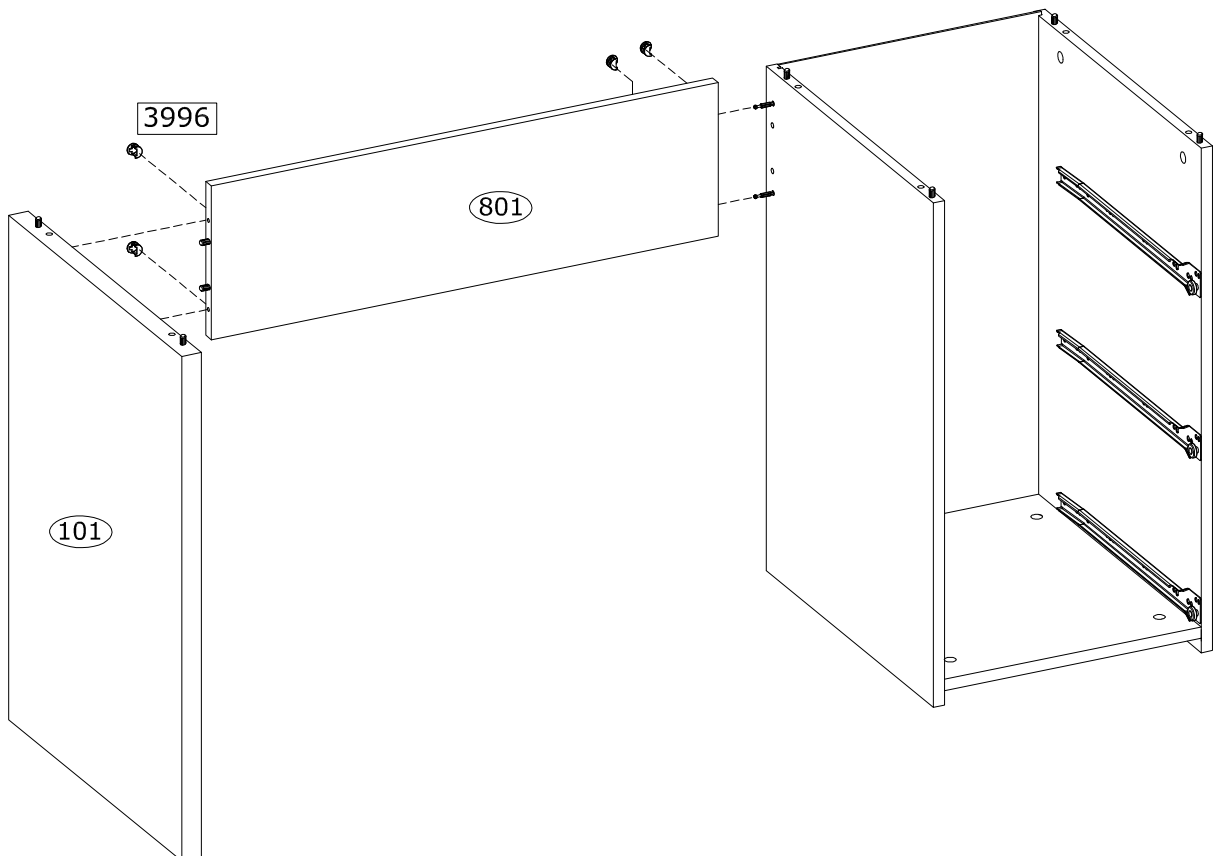
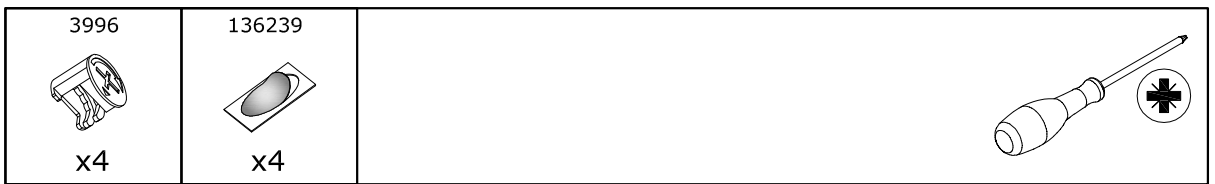
<p>4044</p>  <p>x3</p>	 
---	---



17

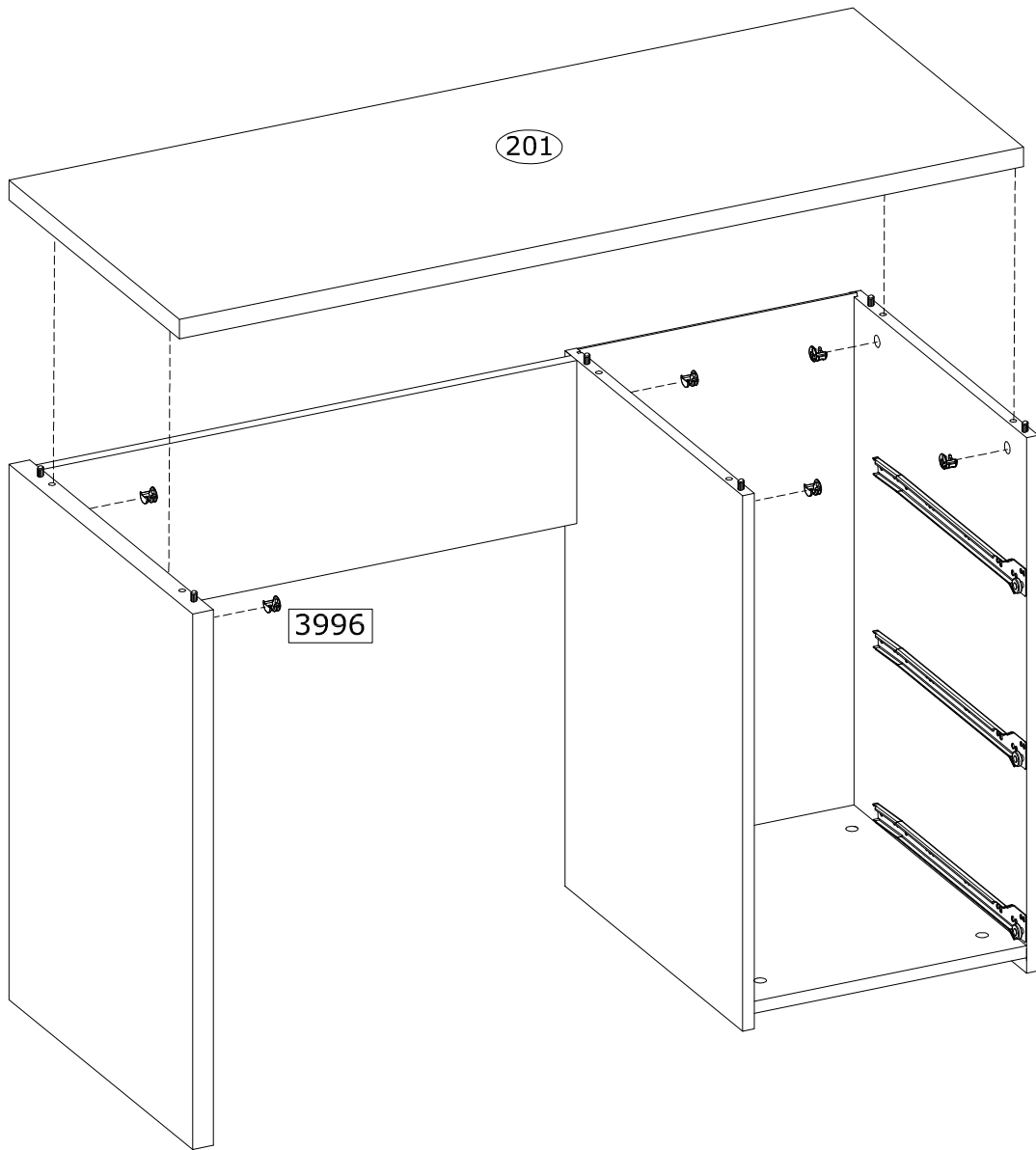


18



19

<p>3996</p>  <p>x6</p>	<p>136239</p>  <p>x6</p>	
---	---	---

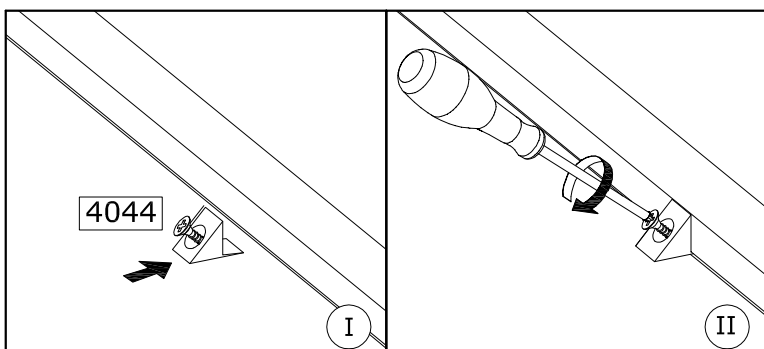
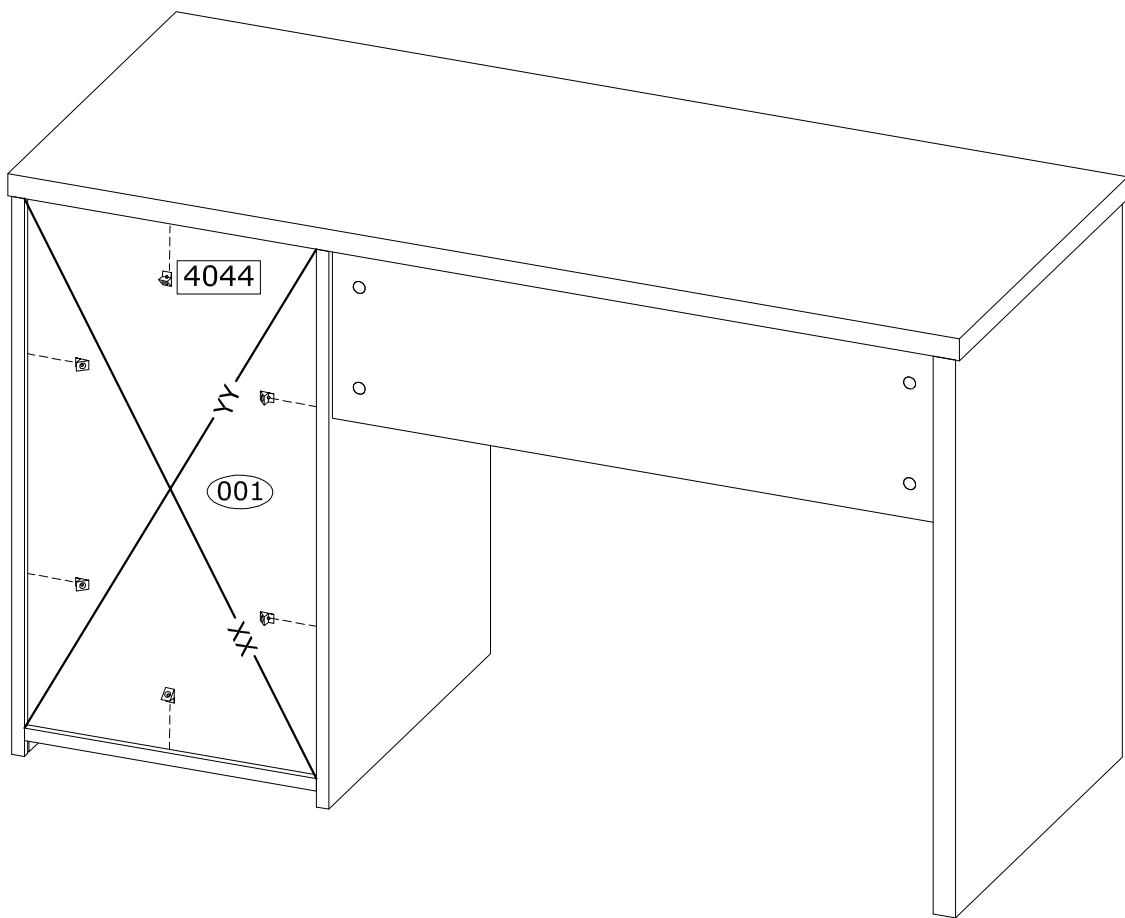


20

4044  x6	
---	---



$XX=YY\equiv 90^\circ$



21

